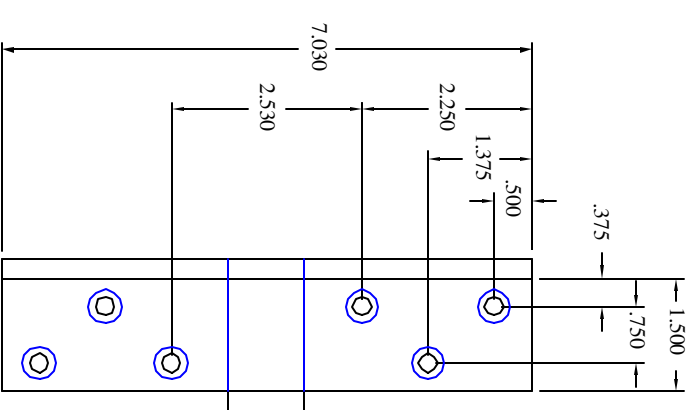
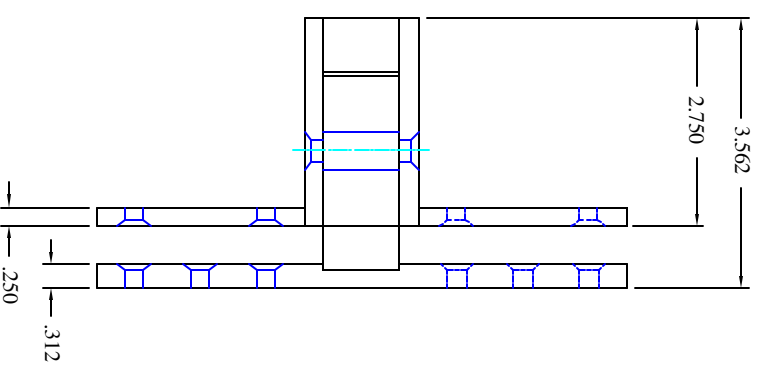
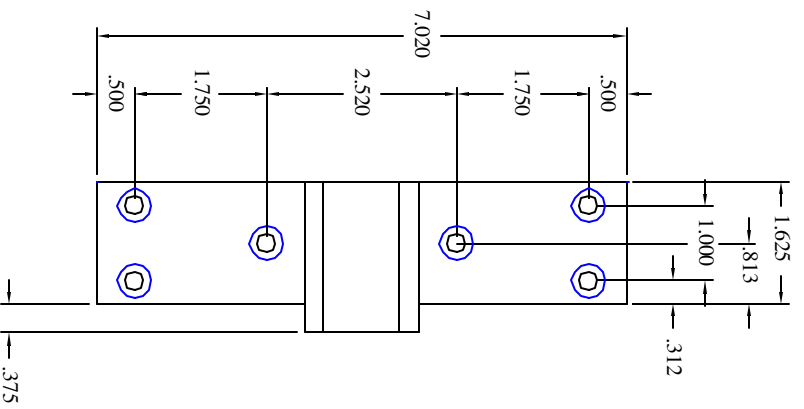
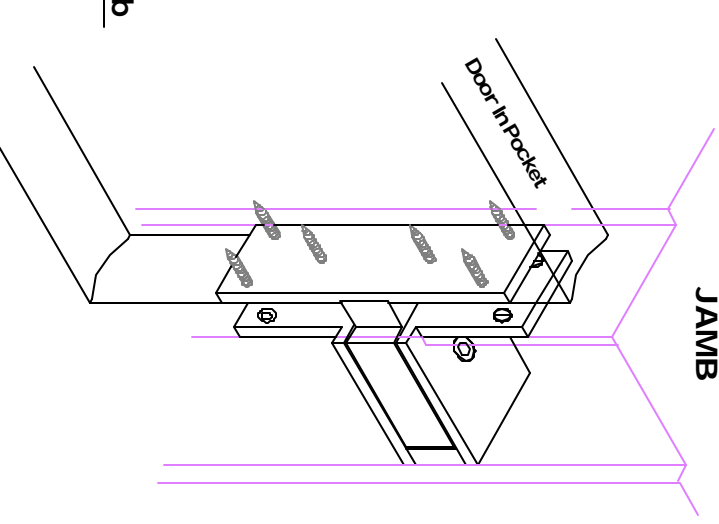
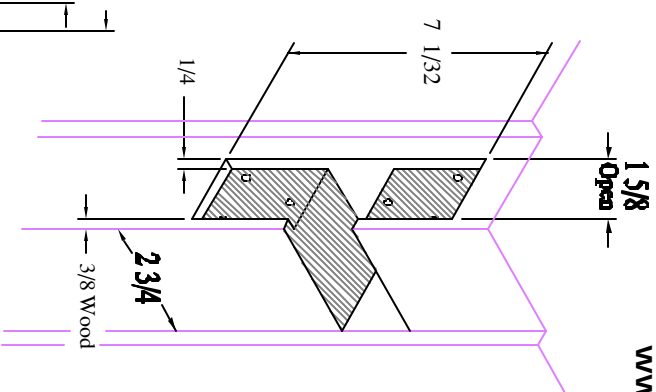
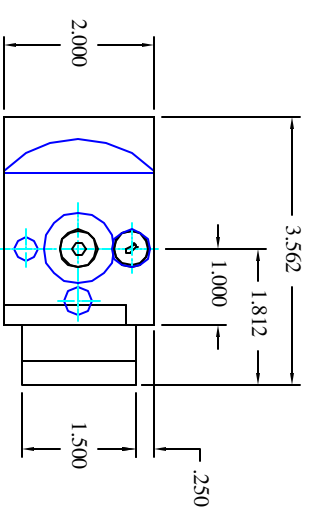


# ACCURATE LOCK AND HARDWARE CO. LLC.

Manufactures of  
CUSTOM LOCKS AND ARCHITECTURAL HARDWARE

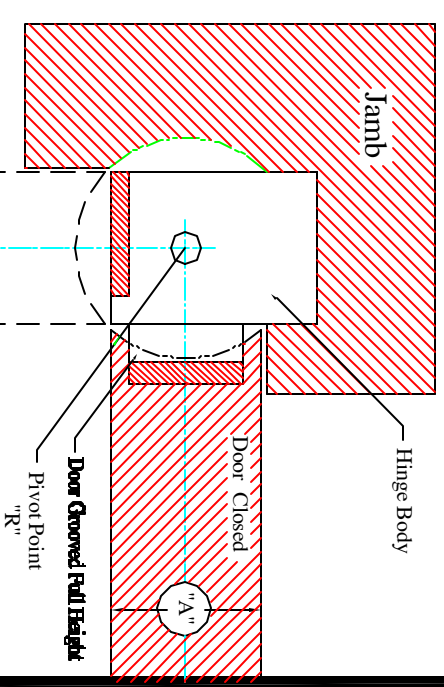
## HARMON HINGE INSTALLATION TEMPLATE 2" THK. DOOR

ANNIE PLACE, STAMFORD, CT. 06902  
(203) 348-8865 FAX (203) 348-5234  
E-MAIL: [Accurate1h@aol.com](mailto:Accurate1h@aol.com)  
[www.Accurate.to](http://www.Accurate.to)



Door Jamb

Dimensions	
Door Size	2.00"
	2.00"
	1.00"
	1.469"



ACCURATE Template Harmon Hinge is made to conform to this drawing  
Machine Screw Size - 3/4 x 12-24 F.H  
Wood Screw Size - 1-1/4 x 12 F.H