

Accurate Lock and Hardware Co.

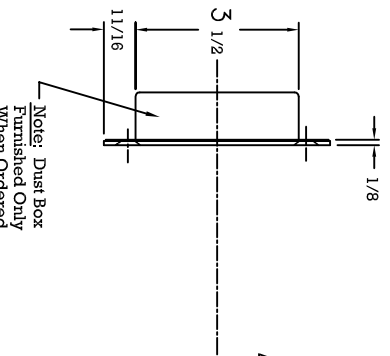
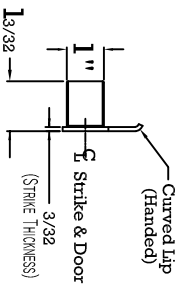
Manufacturers of
Custom Locks and Architectural Hardware

Annie Place, Stamford, CT. 06902
(203) 348-8865 FAX (203) 348-5234
E-MAIL: Sales@AccurateLockandHardware.com
www.AccurateLockandHardware.com

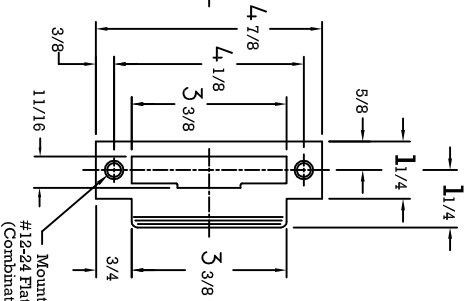
8600 - 1 1/2 Backset Mortise Lock Installation Template

8625	8656	8622	8624	8639	8601	8602	8603
FIG. 2	FIG. 3	FIG. 4	FIG. 5	FIG. 6	FIG. 7	FIG. 8	FIG. 9
Knob/Lever Both Sides	Knob/Lever Outside Only	Knob/Lever Both Sides	Knob/Lever Both Sides	5/8 Dia. Hole Turn Piece Only, When Ordered	5/8 Dia. Hole Turn Piece Only, When Ordered	Em. Key Outside Only, When Ordered	Em. Key Outside Only, When Ordered
1 1/4 Cylinder Hole Both Sides	1 1/4 Cylinder Hole Outside Only	1 1/4 Cylinder Hole Both Sides	1 1/4 Cylinder Hole Outside Only	5/8 Dia. Hole Turn Piece Only When Ordered	5/8 Dia. Hole Turn Piece Only When Ordered	Em. Key Outside Only, When Ordered	Em. Key Outside Only, When Ordered

Find Catalog Numbers Which Will Show Cutouts For Functions Desired. Refer To Composite Template Above For Locations And Sizes Of Holes.



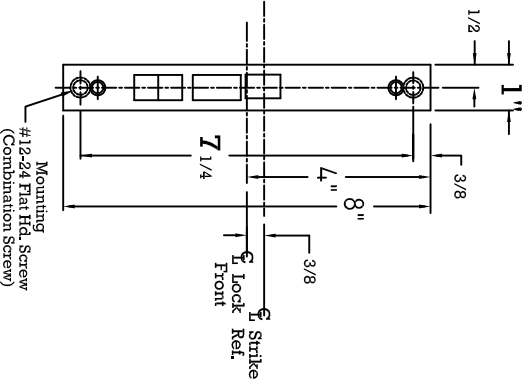
Note: Dust Box Furnished Only When Ordered.



Mounting #12-24 Flat Hd. Screw (Combination Screw)

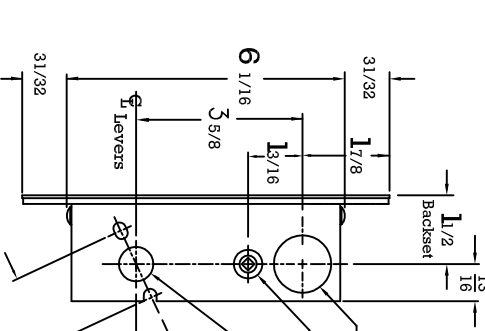
LEVER x LEVER

8600 SERIES
1 1/2 BACKSET



Mounting #12-24 Flat Hd. Screw (Combination Screw)

Lock Ref. Front



* 1 1/4 Dia. Cylinder Hole
* 5/8 Dia. Hole For Thumb Turn/ER Trim
3/4 Dia Hole For Knobs & Levers
1 1/2 To 1 11/16
25°
Thru Bolting Holes. If Required See Thru Manufacture Template

Note: Refer To Above Function Chart For Req'd Hole Prep.

Responsibility
Door And Frame Manufacturers Are Responsible For Providing Adequate Construction Or Reinforcement For Proper Installation Of Hardware Shown.

DWG. NO. 8600-1500TEMP

REV. 10/6/08

FILE NAME: F:\ERR08\ACCURATE\8600\8600-TEMP.LAYERS
F:\ERR08\TEMP\8600\8600-1500TEMP