

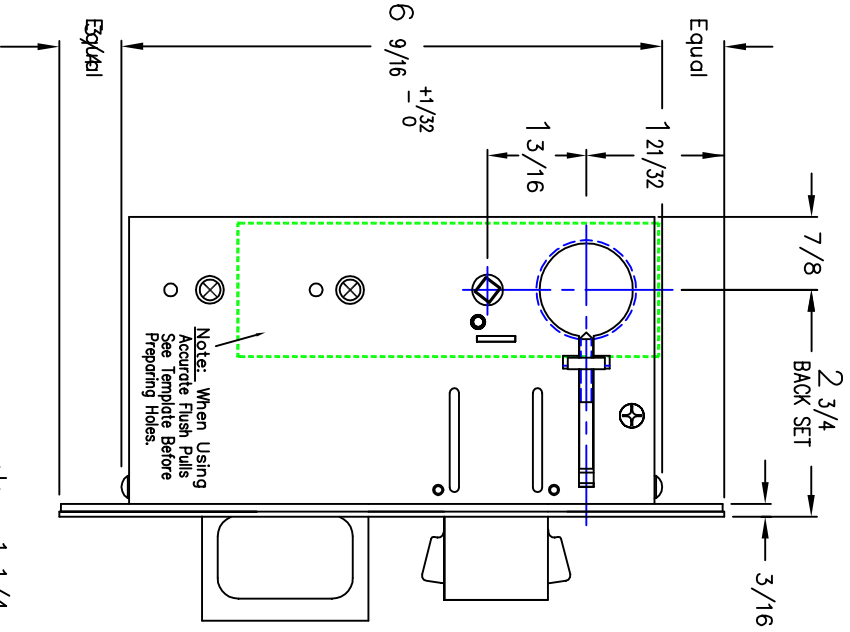
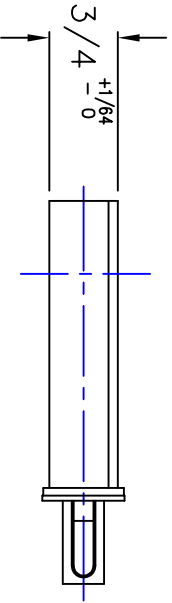
**ACCURATE LOCK AND HARDWARE CO. LLC.**

Manufactures of  
CUSTOM LOCKS AND ARCHITECTURAL HARDWARE

**2002CPDL SERIES**

**POCKET DOOR LOCK INSTALLATION  
TEMPLATE 2-3/4 Backset**

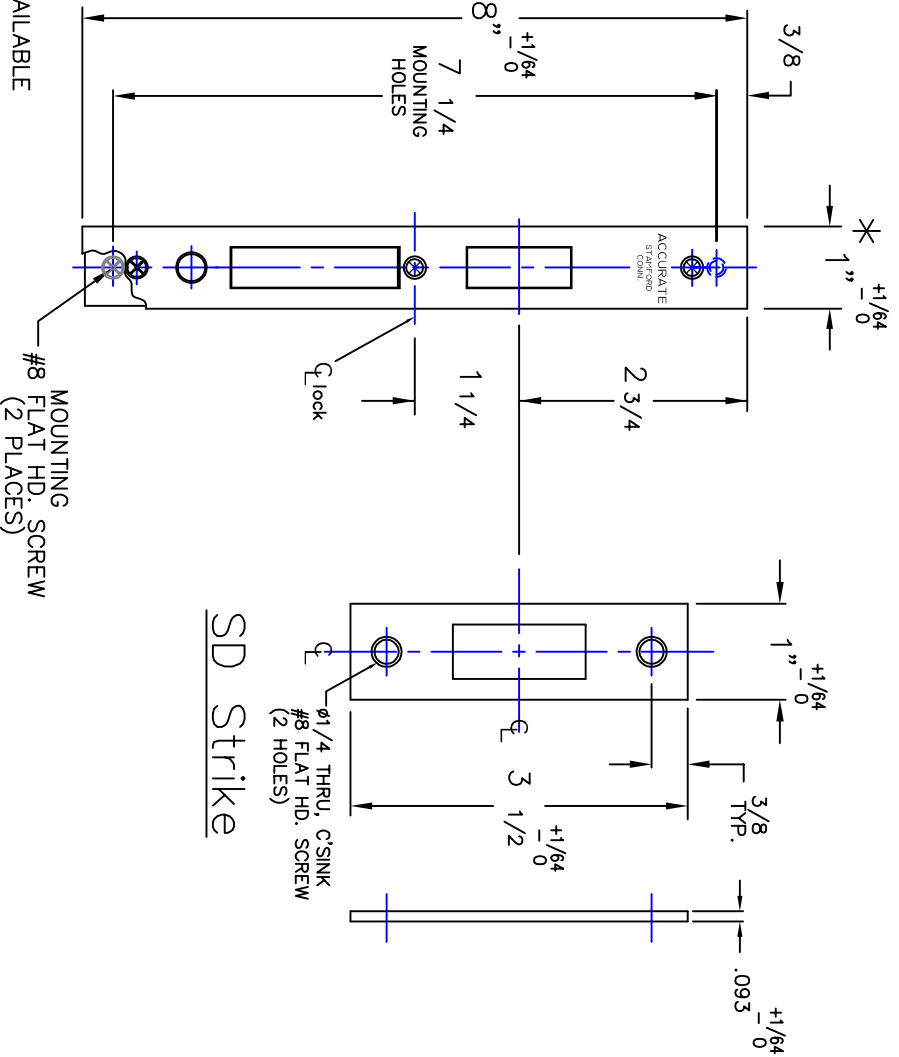
Note: All Dimensions Reflect Suggested Mortise Prep Dimensions. (Actual Lock Dimensions Are Slightly Smaller).



2002 CPDL-1	2002 CPDL-2	2002 CPDL-3	2002 CPDL-4	2002 CPDL-5
<p>1-1/4 Dia. Cylinder Outside Only</p>	<p>1-1/4 Dia. Cylinder Both Sides</p>	<p>1-1/4 Dia. Cylinder Outside Only 5/8 Dia. Turn Piece Inside Only</p>	<p>5/8 Dia. Turn Piece Inside Only</p>	<p>5/8 Dia. Turn Piece Inside Only emergency key outside only.</p>

Find Catalog Numbers Which Will Show Cutouts For Functions Desired. Refer To Composite Template Above For Locations And Sizes Of Holes.

ANNIE PLACE, STAMFORD, CT. 06902  
(203) 348-8865 FAX (203) 348-5234  
E-MAIL: Accurateh@aol.com  
www.Accurate.to



\* - 1 1/4 WIDE FRONT AVAILABLE UPON REQUEST