

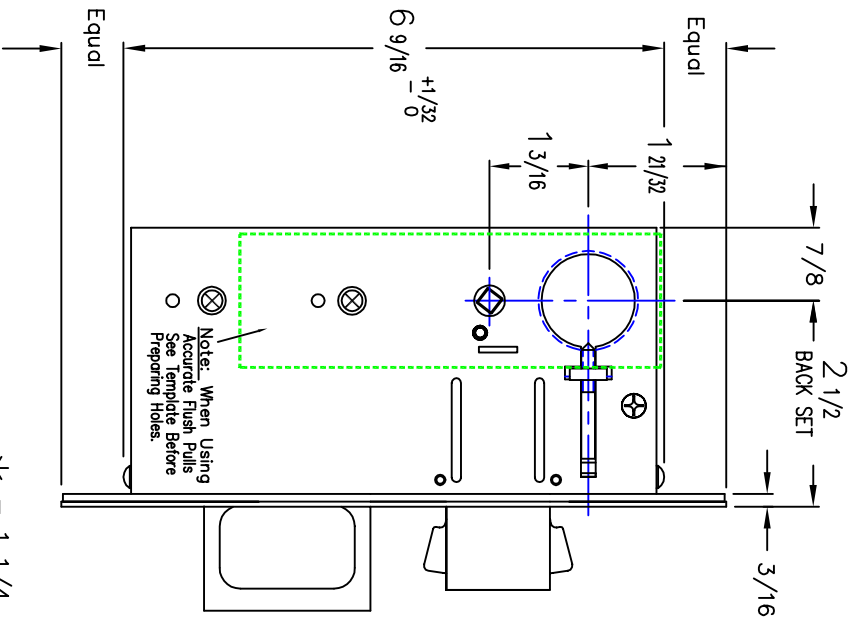
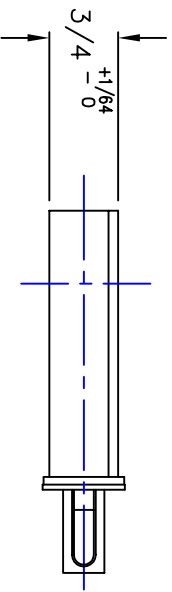
ACCURATE LOCK AND HARDWARE CO. LLC.

Manufactures of
CUSTOM LOCKS AND ARCHITECTURAL HARDWARE

2002CPDL SERIES

**POCKET DOOR LOCK INSTALLATION
TEMPLATE 2-1/2 Backset**

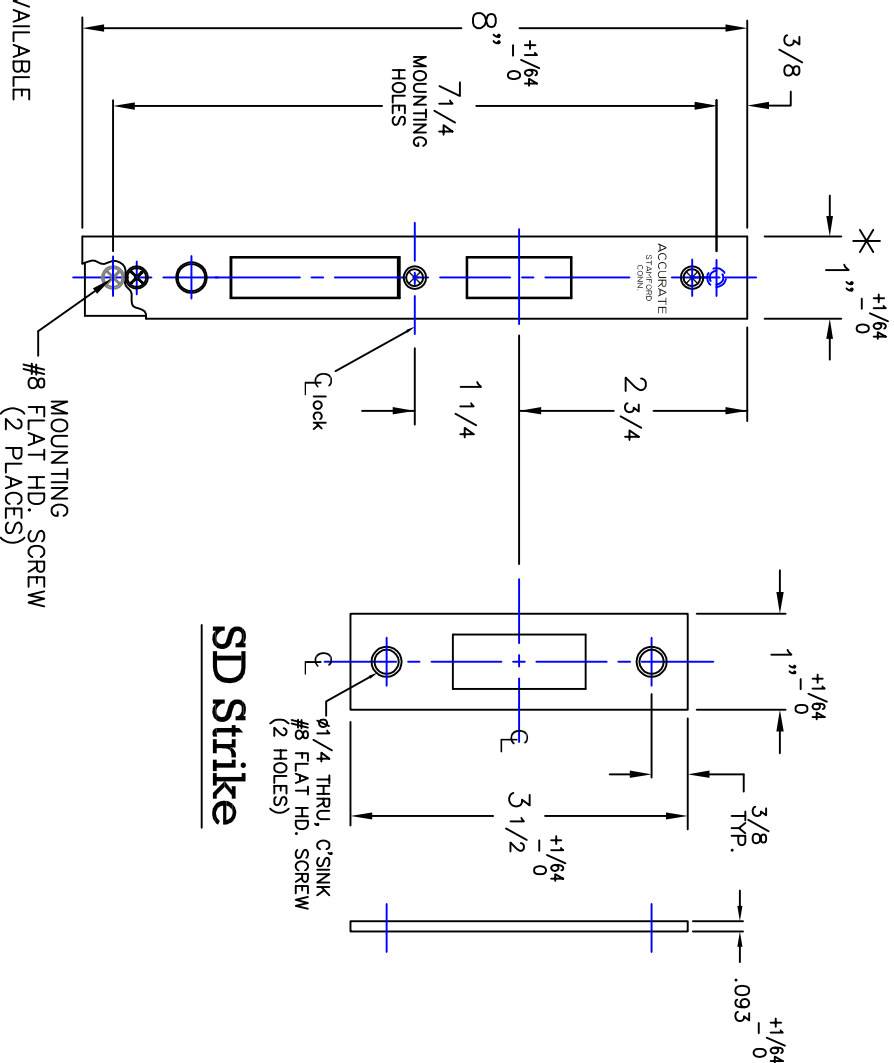
Note: All Dimensions Reflect Suggested Mortise Prep
Dimensions. (Actual Lock Dimensions Are Slightly Smaller).



2002 CPDL-1	1-1/4 Dia. Cylinder Outside Only	2002 CPDL-2	1-1/4 Dia. Cylinder Both Sides	2002 CPDL-3	1-1/4 Dia. Cylinder Outside Only 5/8 Dia. turn piece inside only	2002 CPDL-4	5/8 Dia. turn piece inside only	2002 CPDL-5	5/8 Dia. turn piece inside only Emergency key Outside only
-------------	----------------------------------	-------------	--------------------------------	-------------	---	-------------	---------------------------------	-------------	---

Find Catalog Numbers Which Will Show Cutouts For Functions Desired. Refer to Composite Template Above For Locations And Sizes Of Holes.

ANNIE PLACE, STAMFORD, CT. 06902
(203) 348-8865 FAX (203) 348-5234
E-MAIL: Accurateh@aol.com
www.Accurate.co



SD Strike

Ø1/4 THRU. C'SINK
#8 FLAT HD. SCREW
(2 HOLES)

* - 1 1/4 WIDE FRONT AVAILABLE UPON REQUEST