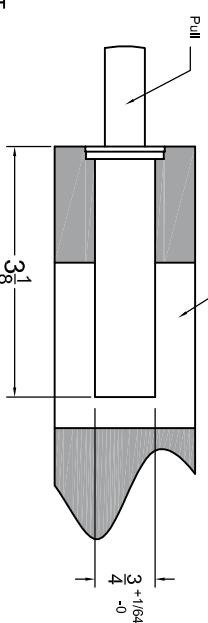


*Template shown with
"S" Type Trim

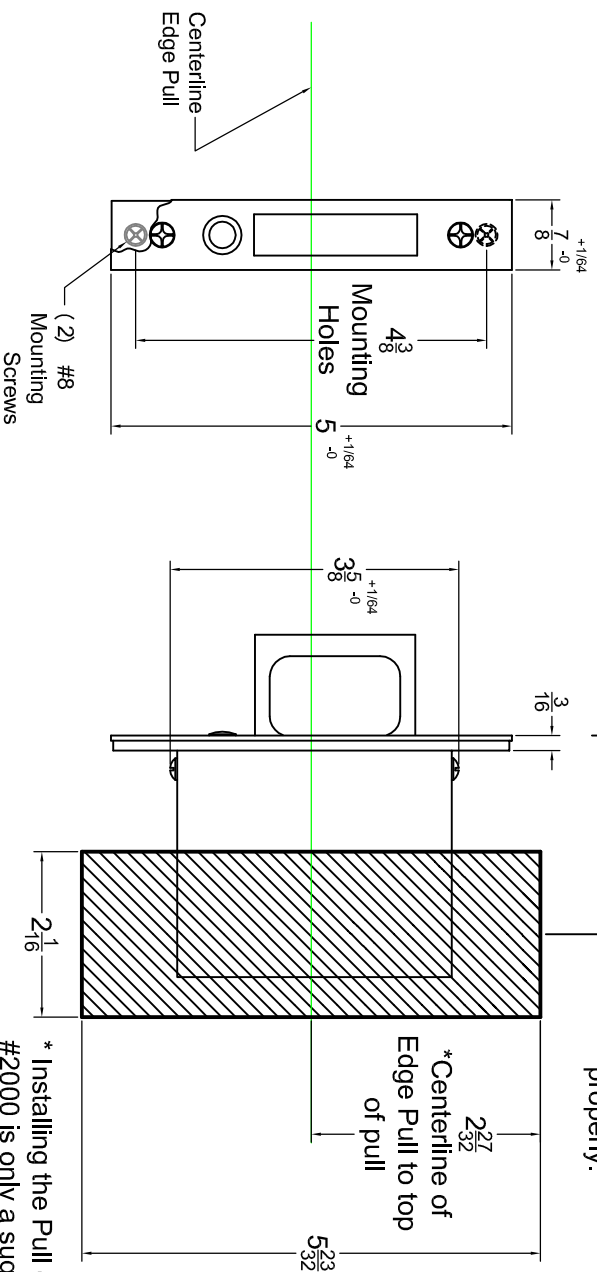
* All lock dimensions reflect suggested
mortise prep. dimensions. (Actual lock
dimensions are slightly smaller)

Bore pocket as required - Thru for both
sides or One side only



INSERT
CENTERLINE OF TRIM HERE (this should
match the backsets on the rest of the project
ref. 2³/₁₆" 2³/₈" 3³/₄" 5" or 6"

*Mount the trim with
the screws provided,
after the lock is
installed and works
properly.



* Installing the Pull on the centerline of the
#2000 is only a suggestion. This pull can be
mounted anywhere on the door.

#2000 Pocket door pull w/
S2002B or CS2002B Trim

Template #2000S/CS

Accurate Lock and Hardware Co., LLC
One Annie Place
Stamford, CT 06902
P (203) 348-8865 F (203) 348-5234
Sales@accuratelockandhardware.com

Accurate
Lock and Hardware

Made in USA