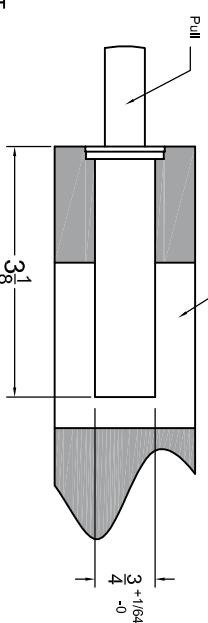


\*Template shown with "A", "N", or "O" Type Trim

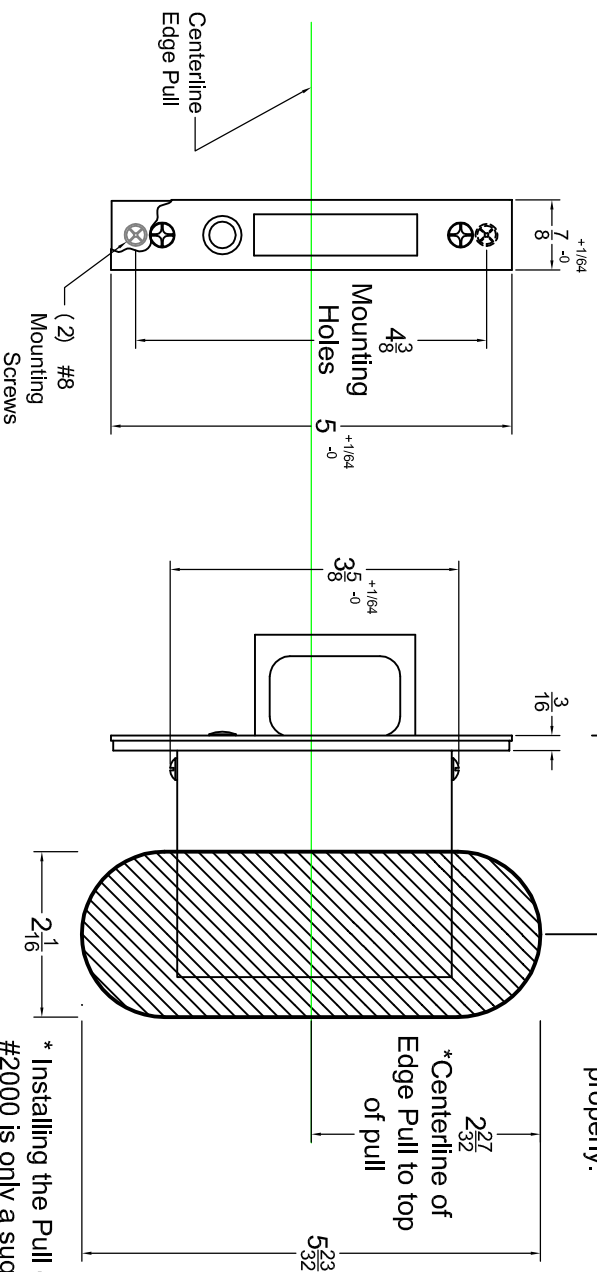
\*All lock dimensions reflect suggested mortise prep. dimensions. (Actual lock dimensions are slightly smaller)

Bore pocket as required - Thru for both sides or One side only



INSERT  
CENTERLINE OF TRIM HERE (this should match the backsets on the rest of the project ref. 2<sup>3</sup>/<sub>8</sub>" 2<sup>3</sup>/<sub>4</sub>" 3<sup>3</sup>/<sub>4</sub>" 5" or 6"

\*Mount the trim with the screws provided, after the lock is installed and works properly.



\* Installing the Pull on the centerline of the #2000 is only a suggestion. This pull can be mounted anywhere on the door.

#2000 Pocket door pull w/  
A2002B or CA2002B Trim  
N2002B or CN2002B Trim  
O2002B or CO20028 Trim

Template #2000A/CA

Accurate Lock and Hardware Co., LLC  
One Annie Place  
Stamford, CT 06902  
P (203) 348-8865 F (203) 348-5234  
Sales@accuratelockandhardware.com

