

## Strikes, Wraps, Cover and Custom Plates

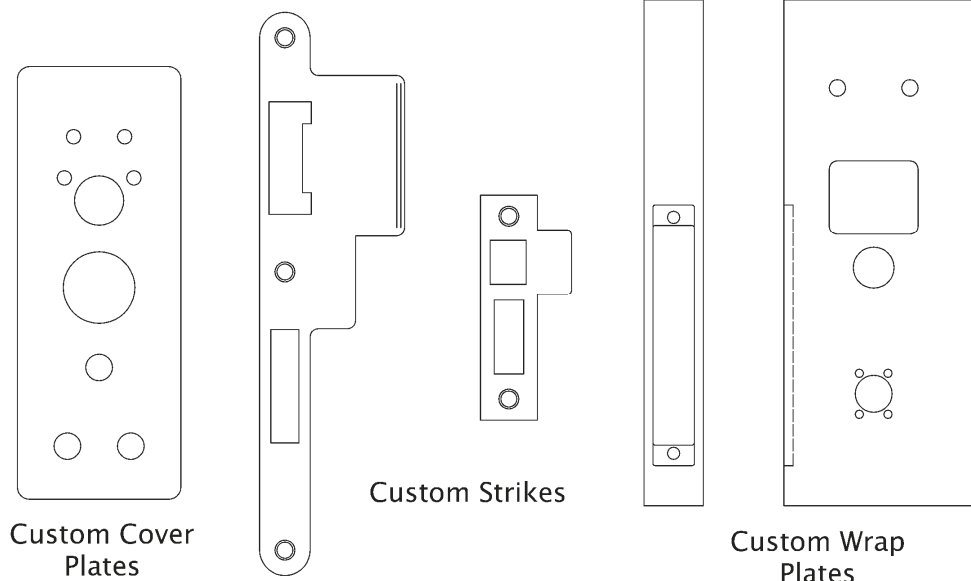
Accurate provides high quality custom products in an unprecedented time frame. In most cases we can even do your job in 48 hours if need be.

Items include (just to name a few):

- Custom strikes (mortise, full lip, "T", profile, roller, ball catch, cremone, angle and double lip)
- Custom wraps
- Custom cover plates
- Custom face plates
- Custom filler plates

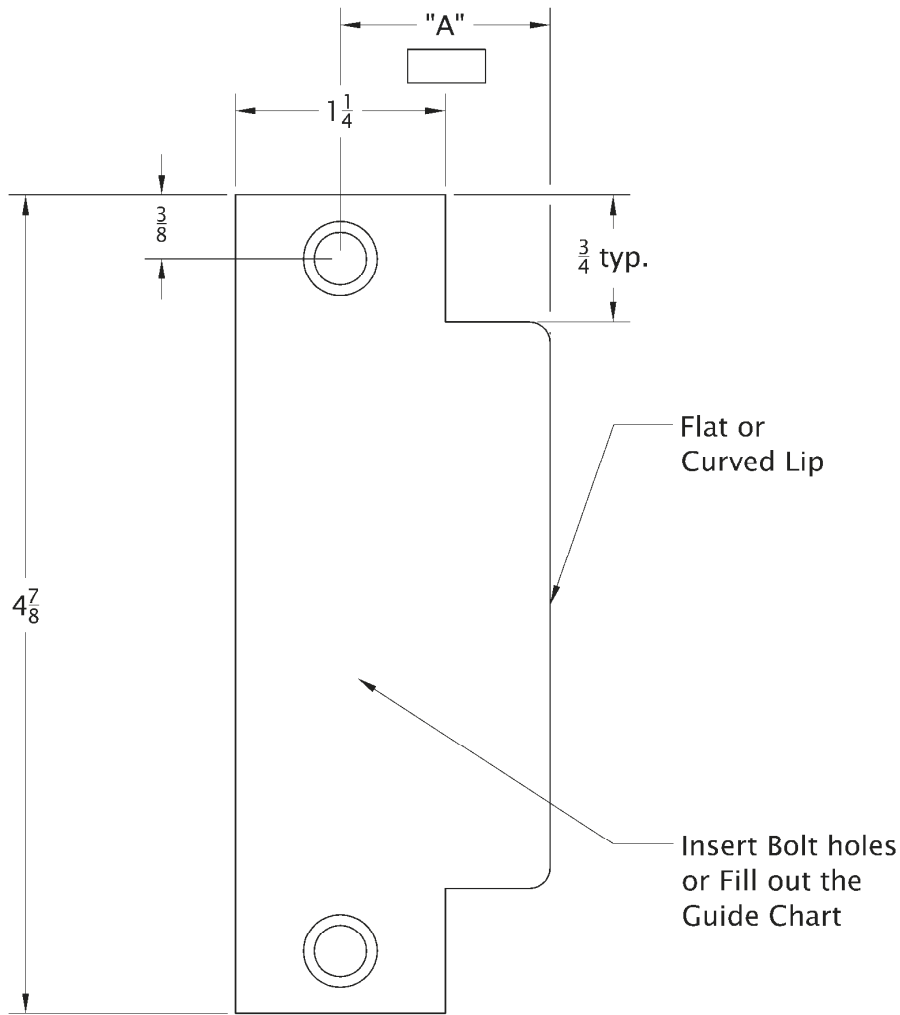


**Call, fax, email your requirements, or send a sample today.**



# ASA 4 7/8" Strikes

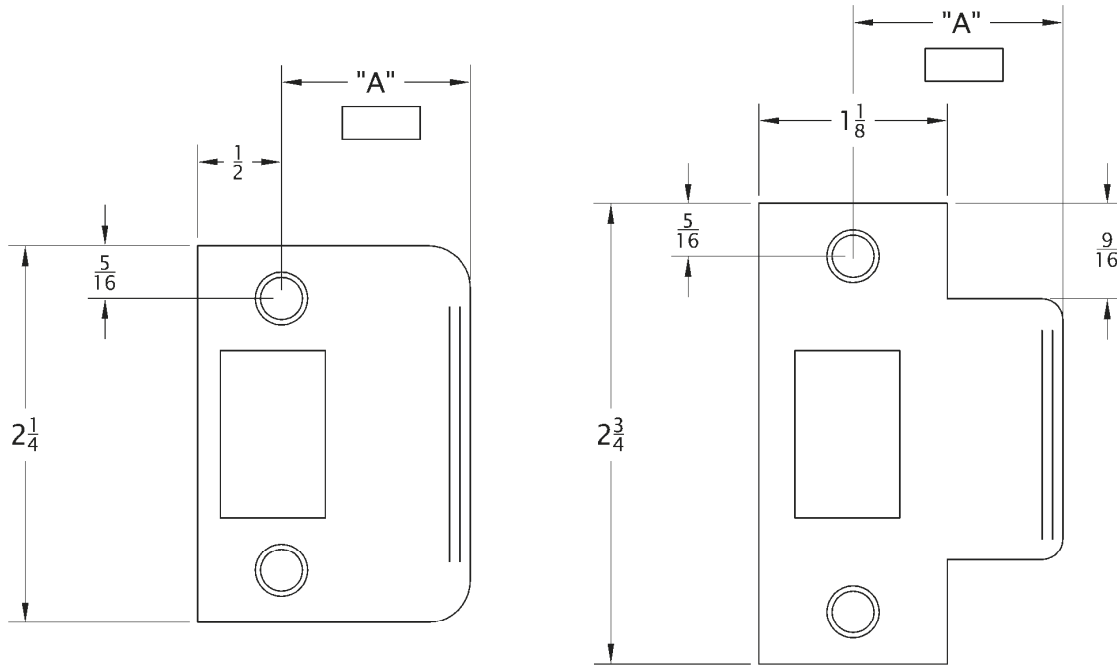
## Cylindrical, Mortise and Custom



Accurate custom manufactures strikes to your specifications in almost any size, shape and finish. This drawing represents a standard ASA strike with a variable lip to center dimension, the most common source of modification. If applicable, please use our chart as a simple guide for easy and efficient ordering. You can also call, fax, email or send a sample.

|           | Qty | Cylindrical or Mortise | Lock Mfr | Lock or strike # | Flat or Curved | LH | RH | "A" (lip to center dimension) | Finish |
|-----------|-----|------------------------|----------|------------------|----------------|----|----|-------------------------------|--------|
| Example 1 | 35  | Cyl.                   | Schlage  | 10-025           | Curved         | —  | —  | 1 5/8"                        | US32D  |
| Example 2 | 118 | Mortise                | Baldwin  | 6075             | Curved         | 78 | 40 | 2 13/16"                      | US10B  |
|           |     |                        |          |                  |                |    |    |                               |        |
|           |     |                        |          |                  |                |    |    |                               |        |
|           |     |                        |          |                  |                |    |    |                               |        |

# Full lip and "T" strikes



Full Lip Strike

"T" Strike

Accurate custom manufactures strikes to your specifications in almost any size, shape and finish. This drawing represents a standard Full Lip or "T" strike preparation with variable lip to center dimension, the most common source of modification. If applicable, please use our chart as a simple guide for easy and efficient ordering. You can also call, fax, email or send a sample.

|           | Qty | Full Lip Or "T" | Lock Mfr | Lock or strike # | Flat or Curved | "A" (lip to center dimension) | Finish |
|-----------|-----|-----------------|----------|------------------|----------------|-------------------------------|--------|
| Example 1 | 72  | Full lip        | Schlage  | 10-027           | Curved         | 2 1/8"                        | US32D  |
| Example 2 | 13  | "T"             | Baldwin  | 5510             | Curved         | 1 1/2"                        | US3    |
|           |     |                 |          |                  |                |                               |        |
|           |     |                 |          |                  |                |                               |        |
|           |     |                 |          |                  |                |                               |        |