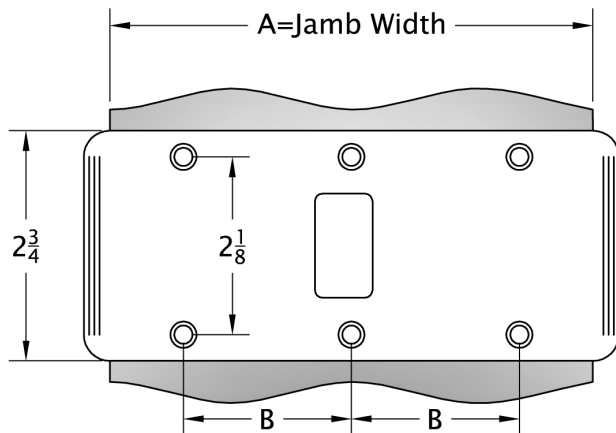


Center and Offset Hung Doors

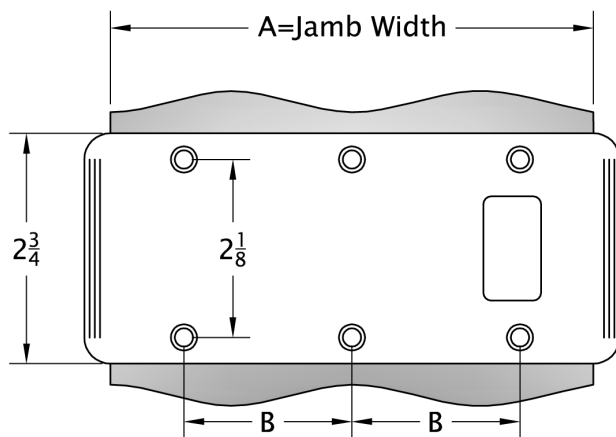
Part Number	Jamb Width "A"	Screw Center To Center
ADL-C-1	4 3/4"	1 3/8"
ADL-C-2	5 5/8"	1 3/4"
ADL-C-3	5 3/4"	1 7/8"
ADL-C-4	5 7/8"	1 15/16"
ADL-C-5	6 1/4"	2 1/8"
ADL-C-6	6 3/4"	2 3/8"
ADL-C-7	7 1/8"	2 1/2"
ADL-C-8	7 3/4"	2 7/8"
ADL-C-9	8 1/4"	3 1/8"
ADL-C-10	8 3/4"	3 3/8"
ADL-C-CUSTOM	Fax or email your specs for quotation	



ADL-C

Accurate Double Lip Strike
For Center Hung Doors

Part Number	Jamb Width "A"	Screw Center To Center
ADL-O-1	4 3/4"	1 3/8"
ADL-O-2	5 5/8"	1 3/4"
ADL-O-3	5 3/4"	1 7/8"
ADL-O-4	5 7/8"	1 15/16"
ADL-O-5	6 1/4"	2 1/8"
ADL-O-6	6 3/4"	2 3/8"
ADL-O-7	7 1/8"	2 1/2"
ADL-O-8	7 3/4"	2 7/8"
ADL-O-9	8 1/4"	3 1/8"
ADL-O-10	8 3/4"	3 3/8"
ADL-O-CUSTOM	Fax or email your specs for quotation	



ADL-O

Accurate Double Lip Strike
For Offset (edge) Hung Doors

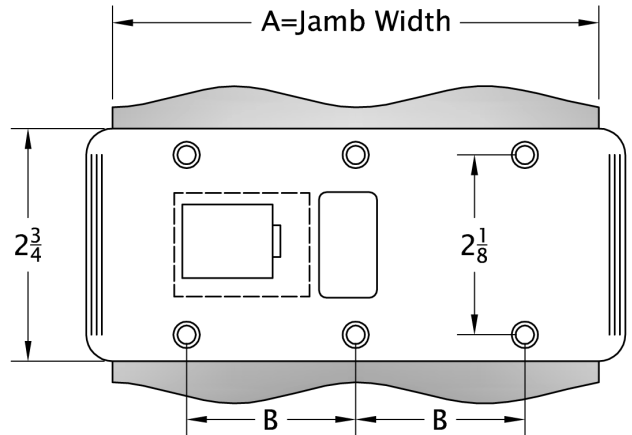
Simple ordering instructions:
Quantity x Part Number x Finish
(i.e. 30 x ADL-O-3 x US32D)

All standard sizes are set up for use with cylindrical locks on a 1 3/4" thick door
All standard sizes are supplied with #8-32 x 3/4" combo (machine/wood) screws

In addition to the standard sizes shown, Accurate can custom manufacture double lip strikes in any height or width, and for use with any manufacturer's mortise or cylindrical locks—Please call, fax or email your requirements.

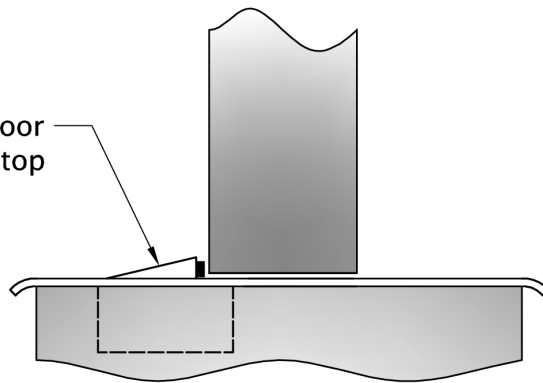
Emergency Stop-Center Hung Doors

Part Number	Jamb Width "A"	Screw Center To Center
ADL-CE-1	4 3/4"	1 3/8"
ADL-CE-2	5 5/8"	1 3/4"
ADL-CE-3	5 3/4"	1 7/8"
ADL-CE-4	5 7/8"	1 15/16"
ADL-CE-5	6 1/4"	2 1/8"
ADL-CE-6	6 3/4"	2 3/8"
ADL-CE-7	7 1/8"	2 1/2"
ADL-CE-8	7 3/4"	2 7/8"
ADL-CE-9	8 1/4"	3 1/8"
ADL-CE-10	8 3/4"	3 3/8"
ADL-CE-CUSTOM	Fax or email your specs for quotation	



ADL-CE
*Accurate Double Lip Strike
 For Center Hung Doors
 With an Emergency Stop*

Emergency Door Stop



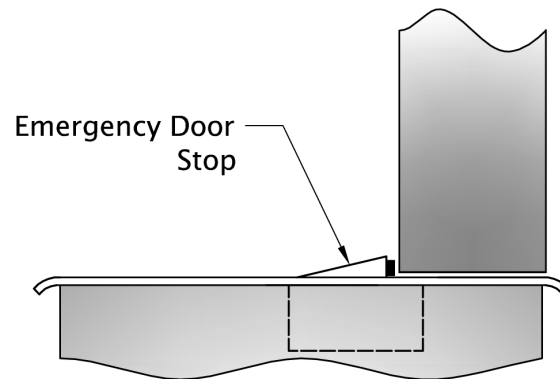
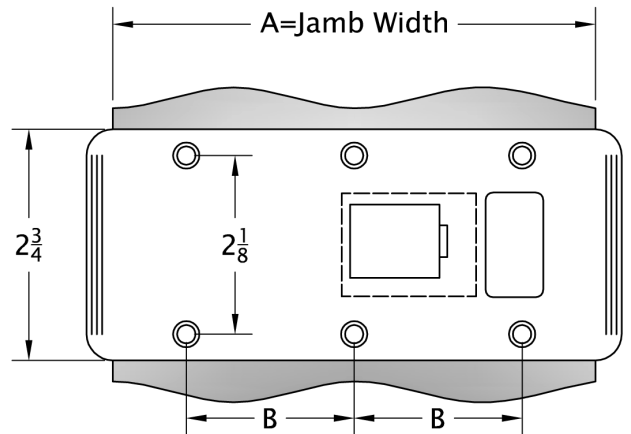
Simple ordering instructions:
 Quantity x Part Number x Finish
 (i.e. 30 x ADL-CE-3 x US32D)

All standard sizes are set up for use with cylindrical locks on a 1 3/4" thick door
 All standard sizes are supplied with #8-32 x 3/4" combo (machine/wood) screws

In addition to the standard sizes shown, Accurate can custom manufacture double lip strikes in any height or width, and for use with any manufacturer's mortise or cylindrical locks—Please call, fax or email your requirements.

Emergency Stop-Offset Hung Doors

Part Number	Jamb Width "A"	Screw Center To Center
ADL-OE-1	4 3/4"	1 3/8"
ADL-OE-2	5 5/8"	1 3/4"
ADL-OE-3	5 3/4"	1 7/8"
ADL-OE-4	5 7/8"	1 15/16"
ADL-OE-5	6 1/4"	2 1/8"
ADL-OE-6	6 3/4"	2 3/8"
ADL-OE-7	7 1/8"	2 1/2"
ADL-OE-8	7 3/4"	2 7/8"
ADL-OE-9	8 1/4"	3 1/8"
ADL-OE-10	8 3/4"	3 3/8"
ADL-OE-CUSTOM	Fax or email your specs for quotation	



ADL-OE
*Accurate Double Lip Strike
 For Offset (edge) Hung Doors
 With an Emergency Stop*

Simple ordering instructions:
 Quantity x Part Number x Finish
 (i.e. 30 x ADL-OE-3 x US32D)

All standard sizes are set up for use with cylindrical locks on a 1 3/4" thick door
 All standard sizes are supplied with #8-32 x 3/4" combo (machine/wood) screws

In addition to the standard sizes shown, Accurate can custom manufacture double lip strikes in any height or width, and for use with any manufacturer's mortise or cylindrical locks—Please call, fax or email your requirements.