

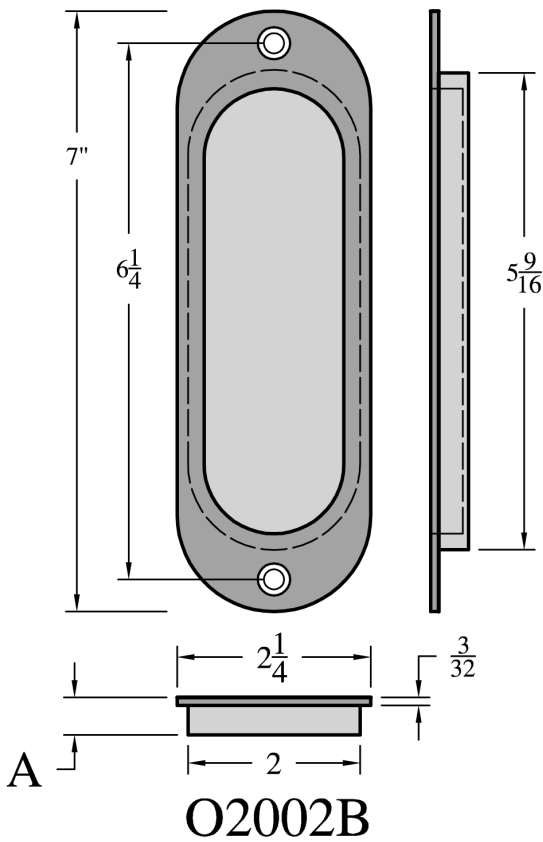
2002 Flush Pulls: "O" style (#O2002)

Premium flush pulls made out of solid brass or bronze and finished as required

For use on 1 3/8", 1 3/4" or thicker doors—Please specify

Available in four functions to work with the #2000, #2001, #2002 sliding/pocket door locks:

- O2002B (blank / passage)
- O2002C (for use with cylinders)
- O2002E (ER key)
- O2002T (thumb turn)



- A** 7/16" for doors 1 3/4" minimum
- 11/32" for doors 1 3/8" minimum

