

2R78 Deadlock

OPERATION:

2R78

By key outside only
Deadbolt throw 9/16"

2R78 1/4

By key outside and inside

2R79

By key outside, thumb turn
inside

MATERIAL:

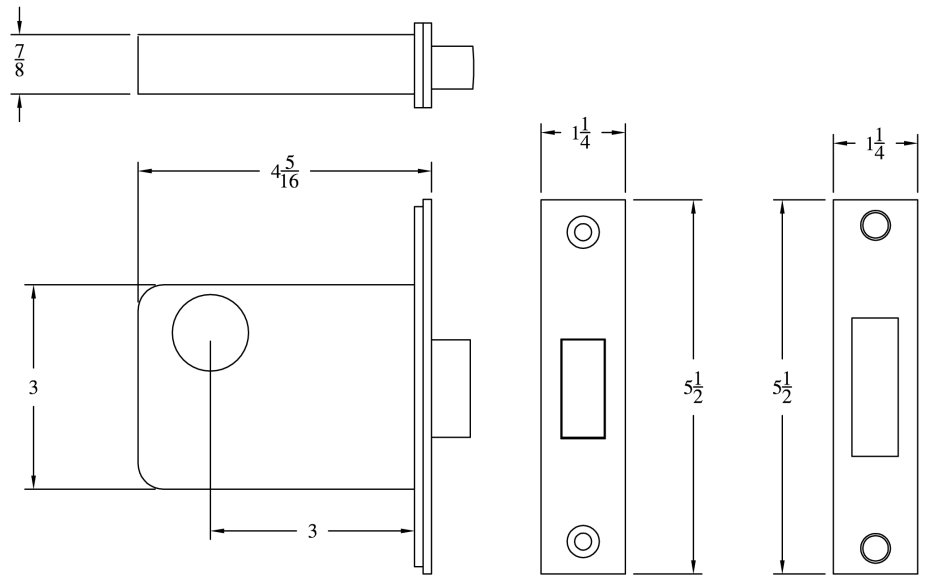
Bronze, brass or
stainless steel armored
front. Bronze bolt.
Annealed gray iron
case, japanned inside
and outside.

FRONT:

Flat front, reversible.
Beveled front to order,
specify hand

STRIKE:

Bronze (not furnished-
as ordered only at extra
cost)

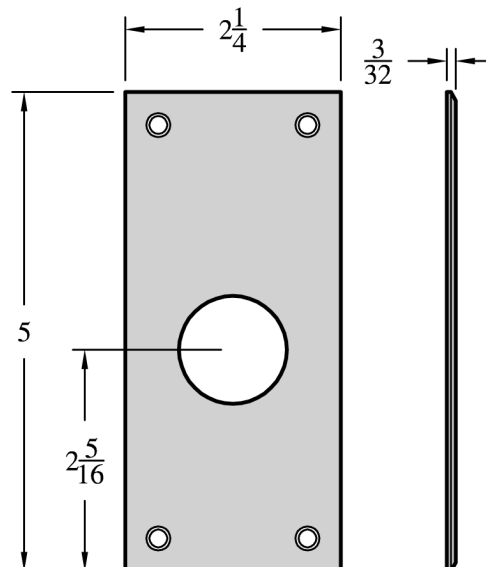


**Ideal to replace bit key deadlocks: Fits same mortise as Yale's #278 lever
tumble deadlocks—just bore hole in door for cylinder, lock fits right in.**

Wrought box available to order.

R278 Escutcheon plate

(Sometimes used with above)



**Standard and custom
finishes available**