

2L78 Deadlatch

OPERATION:

Latch bolt retracted by knobs both sides, except when locked by key from either side
 Key from either side unlocks knobs both sides

For latch only operation order #NK2L78 (the knob and plate assembly will be furnished without a key hole)

TAMPER RESISTANT:

Latch bolt positively resists end pressure when locked
 Armor front prevents tampering with attaching screws
 Key cannot be extracted when locking door if an object has been placed inside the strike
 AVAILABLE WITH KNOBS OR LEVER HANDLES—Please specify

HUB:

Bronze (for 5/16" spindle)

KEYING:

3 tumblers, 1 S63 key. Keyed alike to specified key changes (key not furnished-as ordered only at extra cost)

MATERIAL:

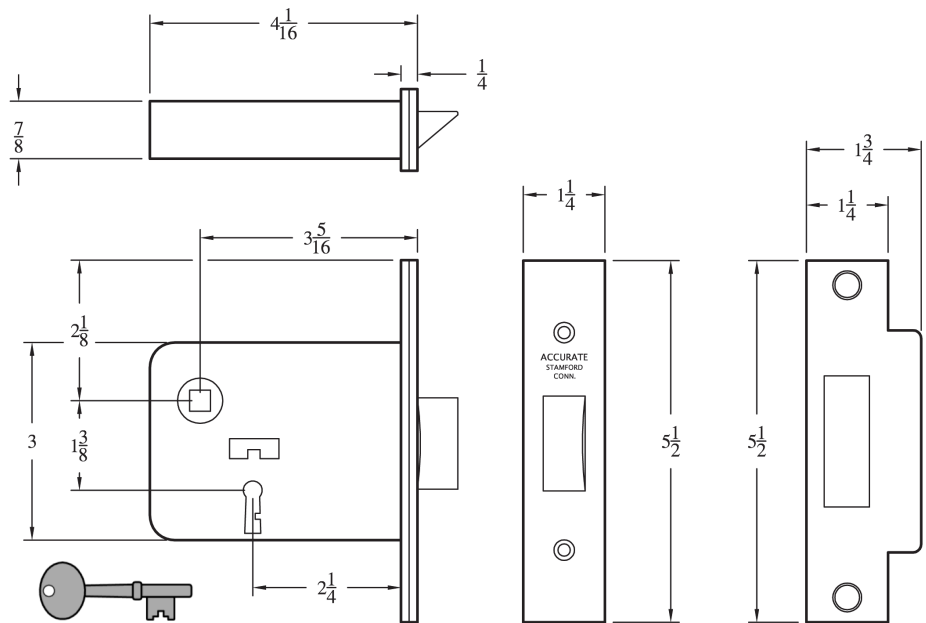
Bronze front and bolt. Satin Chrome Finish.

FRONT:

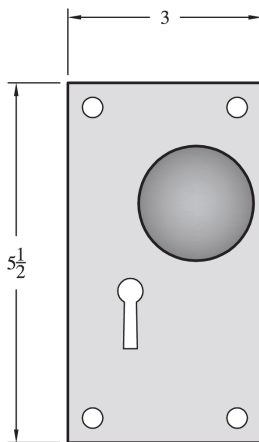
Front adjustable for flat or beveled doors

STRIKE:

Not furnished-as ordered only at extra cost



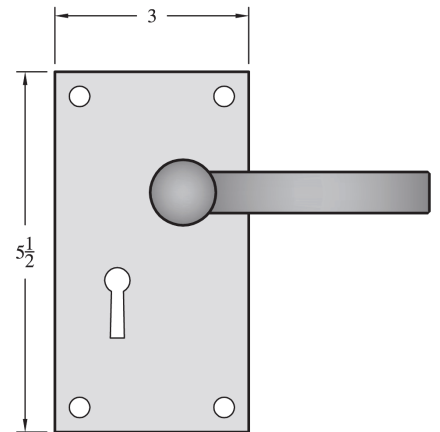
**POSITIVE LATCHING as required by the LIFE SAFETY CODE for Fire Doors
 COMBINED WITH DEAD BOLT TYPE SECURITY**



No. 78 Knob
 1 3/4" dia.
 Solid Stainless Steel

KEY PLATE:

3/32" stainless steel—3" x 5 1/2"
 FINISH: US32D
 ATTACHING SCREWS
 Wood doors: (4) No. 8 x 3/4" wood screws
 Metal doors: (4) No. 8-32 machine screws



No. L78 Lever
 5/8" dia.
 Solid Stainless Steel