

# 200I Sliding Door Lock (#200ISDL)



Various backsets to meet your requirements

Please specify  
2 1/2", 2 3/4", 3 3/4", 5", or 6" Backset  
*Custom narrow and large backsets also available*

Operation\*:  
2001 SDL-1 By Key Outside Only  
2001 SDL-2 By Key Outside and Inside  
2001 SDL-3 By Key Outside, Thumb turn Inside  
2001 SDL-4 By Thumb turn Inside Only  
2001 SDL-5 By Thumb turn Inside, Emergency key Outside

*\* Numbers are for specification and door preparation purposes. The lock itself is the same for all operations.*



CASE:

Heavy Gauge, Wrought  
(1 1/16" thick)

DEAD BOLT:

1/2" thick, 1 7/32" high, 1" Throw

THUMB TURN HUB:

3/16" (5mm) on the diamond

ARMOR FRONT:

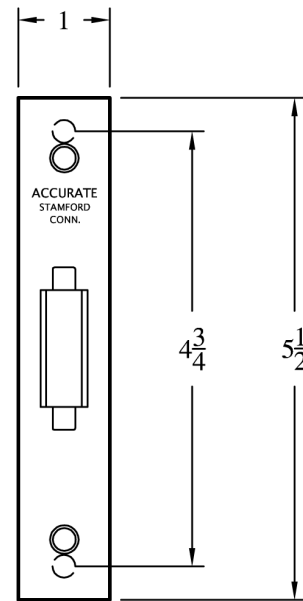
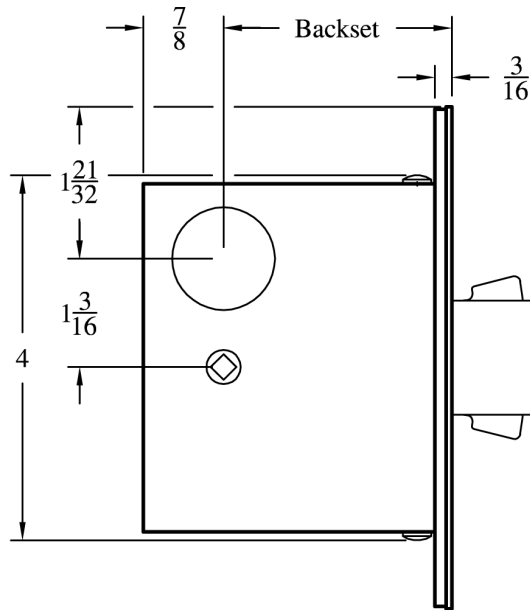
Brass, bronze or stainless steel.

DUST BOX:

Brass, stainless steel or US10B  
available upon request

CYLINDER:

Available to order (3/4", 1", 1 1/8"  
length in limited Keyways) - Please  
contact one of our Sales Engineers  
for Details



SUGGESTED TRIM:	SDL-1	SDL-2	SDL-3	SDL-4	SDL-5
<b>Inside</b>	<i>Optional:</i> A2002B, O2002B, N2002B, S2002B	A2002C, O2002C, N2002C, S2002C	A2002T, O2002T, N2002T, S2002T	A2002T, O2002T, N2002T, S2002T	A2002T, O2002T, N2002T, S2002T
<b>Outside</b>	A2002C, O2002C, N2002C, S2002C	A2002C, O2002C, N2002C, S2002C	A2002C, O2002C, N2002C, S2002C	<i>Optional:</i> A2002B, O2002B, N2002B, S2002B	A2002E, O2002E, N2002E, S2002E

*In addition to the above flush pulls (also available with concealed screws), please refer to our 24R and 24S flush cups for more trim options.*