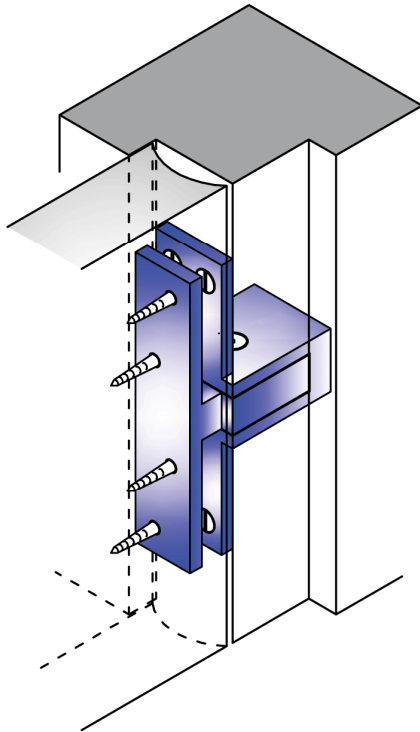


## Harmon Hinges

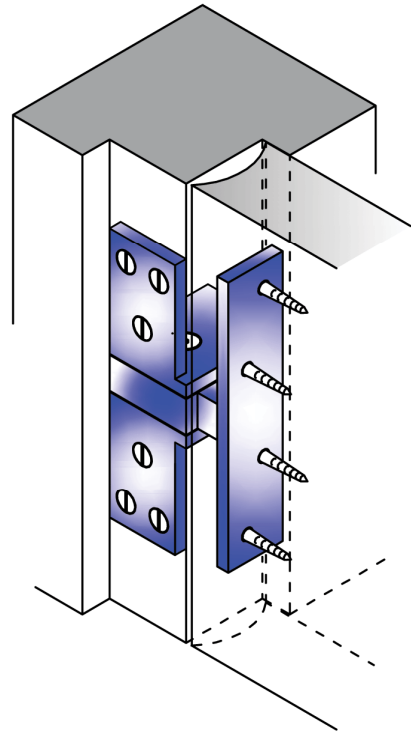
---

- Positive positioning stops
- Available for 1 3/8", 1 3/4", 2" and 2 1/4" thick doors
- Can also be custom made for other door thicknesses
- Made from solid brass—standard and custom finishes offered
- Offer an aesthetically appealing option to any design application by allowing the door to swing clear of its opening (it folds back into a pocket at a right angle to the closed position of the door)

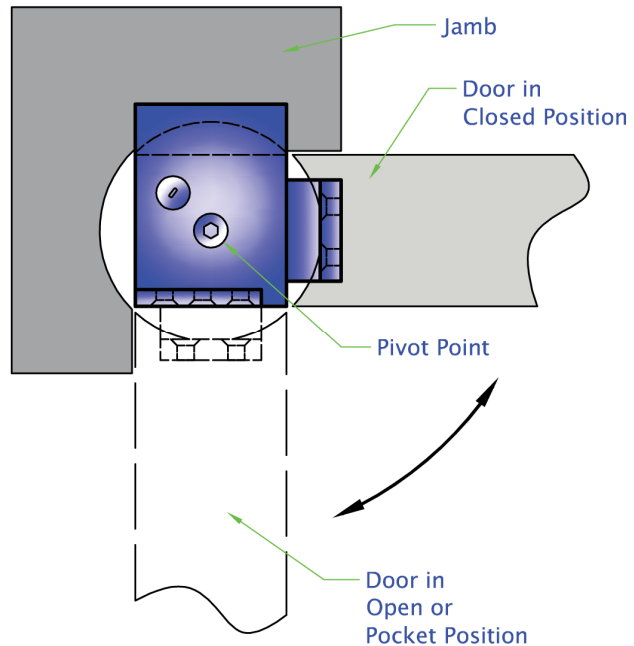




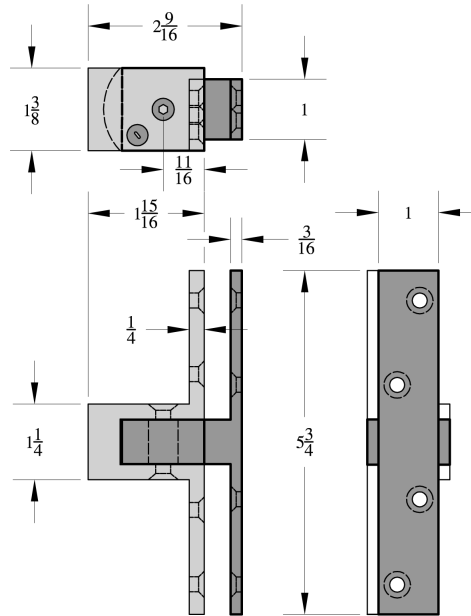
Door in open or "pocket" position



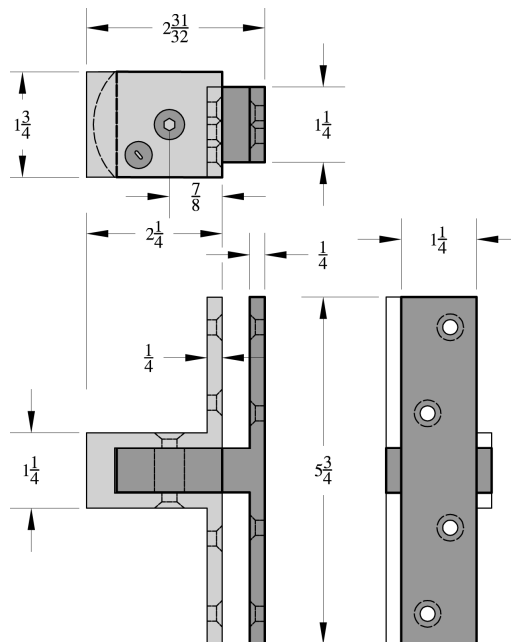
Door in closed position



For 1 3/8" thick doors:

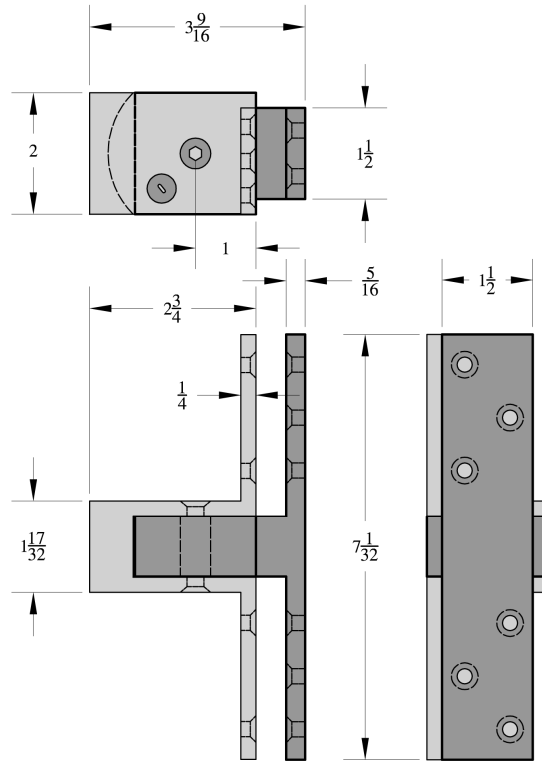


For 1 3/4" thick doors:

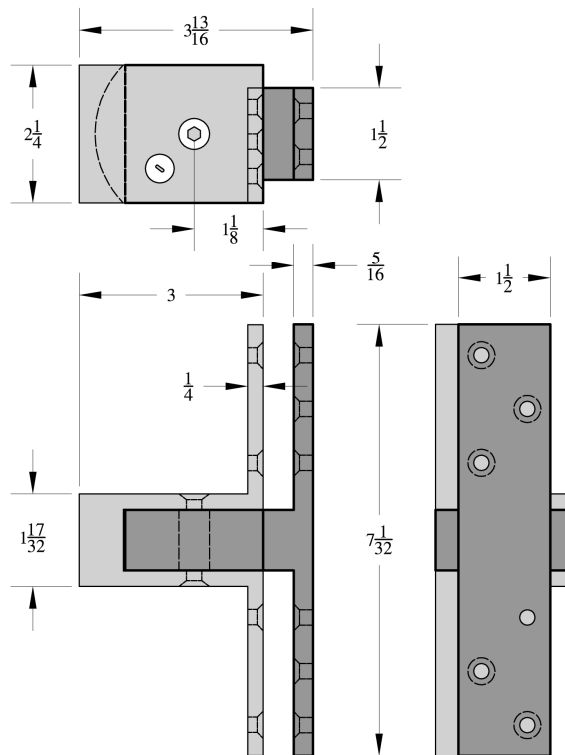


**\*\* Please refer to our templates for more details \*\***

For 2" thick doors:



For 2 1/4" thick doors:



**\*\* Please refer to our templates for more details \*\***