

## GF1106 1/2 Thumb turn

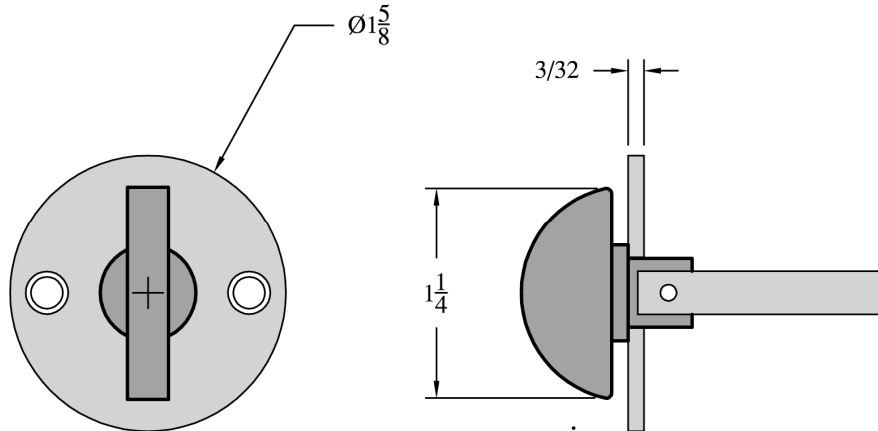
### SPINDLE:

Flat spindle standard

5mm spindle on the diamond available-please specify

For 1 3/4" thick door unless specified

Standard and custom finishes available



## 1129 thumb turn disc

Ideal to achieve greater spacing between the thumb turn and the handle (knob or lever): 3 3/8" spacing when using the 9000 / 9100, 8500 / 8600, 8700 / 8800 series locks

Traditionally used with old Yale style deadbolts (322, 324, 336, 338)

**IMPORTANT**—When ordering, please specify lock being used:

1129-9100/8800

1129-8500

1129-300

