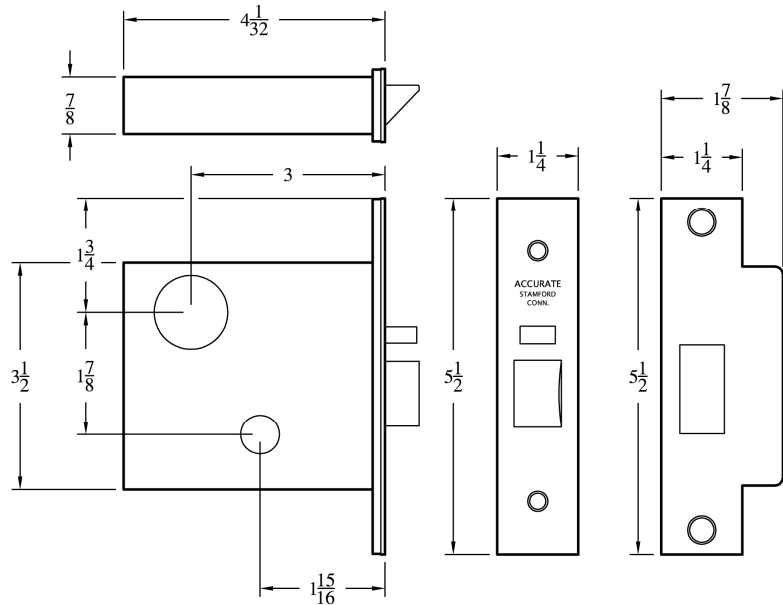
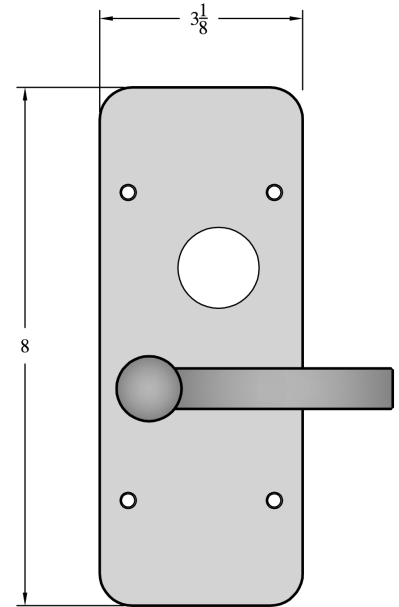


## 8978 Series Deadlatches



To replace bit key locks



Factory Mutual approved for 3-hour Fire Doors

| Lock No. | Inside   | Outside  |
|----------|--|--|
| 8978-1   | Lever handle always free for egress  | Key locks and unlocks outside lever handle           |
| 8978-2   | Lever handle always free for egress<br>Thumb turn locks and unlocks outside lever handle | Key locks and unlocks outside lever handle           |
| 8978-3   | Lever handle always free for egress<br>Key locks and unlocks outside lever               | Key locks and unlocks outside lever handle           |
| 8978-4   | Key locks and unlocks both inside and outside levers                                     | Key locks and unlocks both inside and outside levers |
| 8978NL-7 | Always locked<br>Key retracts latch  | Always locked<br>Key retracts latch                  |
| 8978NL-8 | Lever handle always free for egress  | Always locked<br>Key retracts latch                  |

FRONT:

$1\frac{1}{4}$ " x  $5\frac{1}{2}$ "

CASE:

$3\frac{1}{2}$ " high x  $4\frac{1}{8}$ " deep

ESCUTCHEON:

$3\frac{1}{8}$ " x  $8$ " (or custom made to your specifications)

LEVER HANDLE:

$\frac{5}{8}$ " dia. x  $1\frac{1}{2}$ "